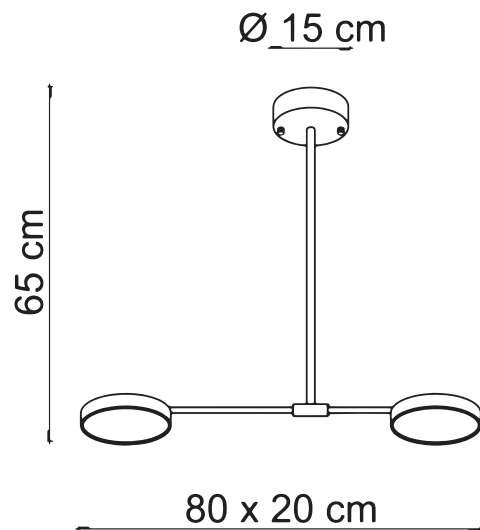


ADAM/2

Hanging lamp



A collection with a current and basic design, whose simplicity makes it suitable for lighting any space. Adam is made up of a black metal frame with brushed brass details, and an acrylic diffuser, which spreads the Led light evenly.

| | |
|------------|--------------------|
| 1997 | ADAM/2 |
| Power | 18W Led Integrated |
| Input | 220/240 V- 50/60Hz |
| Kelvin | 3000 |
| Dimmable | No |
| Real Lumen | 1200 |
| CRI | 85 |
| IP | 20 |



PACKAGING DATA :

| | |
|--------------|-----------------------|
| Packages | 1 |
| Net Weight | 1,6kg |
| Gross Weight | 2,2kg |
| Volume | 0,0412 m ³ |

MATERIAL :

| | |
|----------|---------|
| Frame | Metal |
| Diffuser | Acrylic |

FINISHING TABLE:

| | |
|----------|---|
| Frame |  Black + Brushed Brass |
| Diffuser |  Frosted |

Any interventions on the light source of this article must be carried out by qualified personnel or by the manufacturer himself.
Any operation carried out without prior consultation with Contemporanea srl will void the guarantee